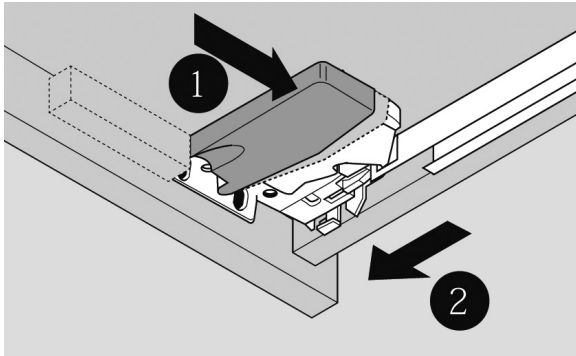


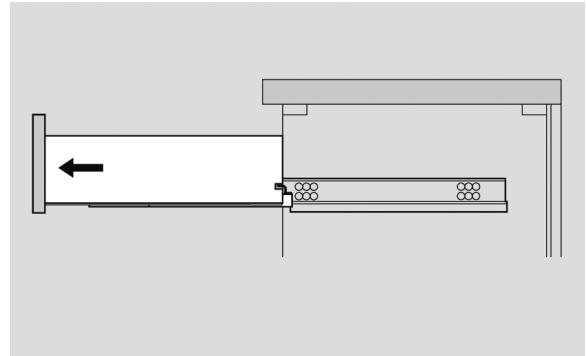
Blum™ Drawer Runner Fitting, Removal & Adjustment

By Neptune Classics

REMOVAL

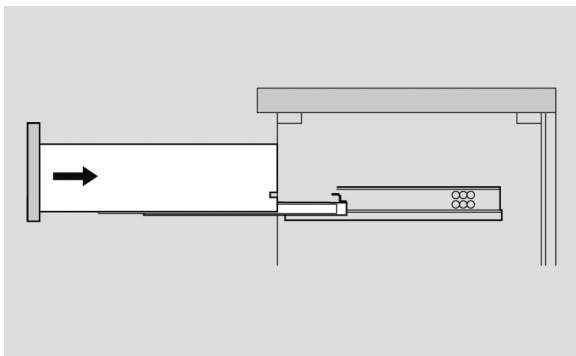


Squeeze both toggles (1) with a hand either side of the drawerbox.

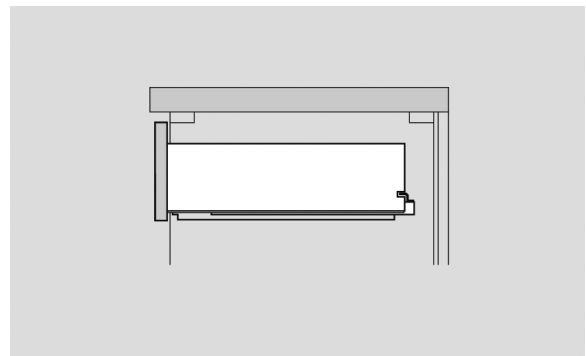


Remove the drawer by sliding it out (2).

INSERTION

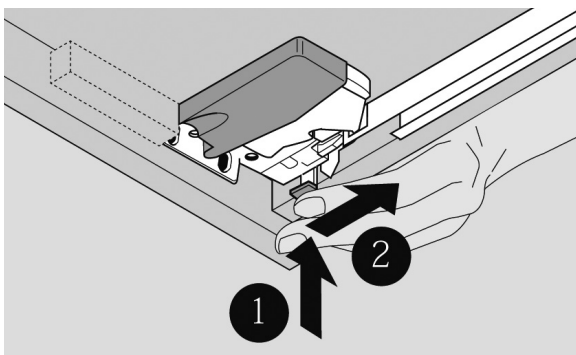


Extend the runners and place the drawer on them.

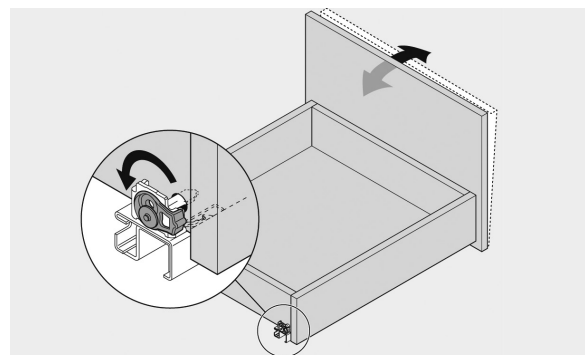


Push the drawer into the cabinet. The catches will both click when engaged.

ADJUSTMENT



Front face Height adjustment: + 3 mm.



Tilt adjustment, found at the back of the runner on 450mm & 300mm runners only.